

Standard C-band 8W BUC

MODEL No. NJT5760 series

< Features >

- * **High Efficiency & Low Distortion**
 - P1dB: +39 dBm min. over temperature
 - IM3: -28 dBc @ Pout = +36 dBm
 - Power Consumption: 63 W
- * **Compact Size & Light Weight**
 - Weight: 3.2 kg
- * **AC Power Option**
- * **LED Indicator**
- * **RoHS Compliance**



< Line-up >

| Model No. | RF Frequency | Local Frequency | IF Frequency | Output Power @ P1dB | IF Connector | Power Supply | Port for Voltage Input | LED Indicator |
|-----------|--|-----------------|------------------|-----------------------------|--------------|---|------------------------------------|---------------|
| NJT5760N | 5.85 to 6.425 GHz (Standard C-band) | 4.90 GHz | 950 to 1,525 MHz | 8W Linear (+39 dBm min.) | N-type | DC Power +24/+48 VDC (+18 to +60 VDC) | Same as IF Connector | Equipped |
| NJT5760F | | | | | F-type | | MS Connector (Separate Port) | |
| NJT5760NM | | | | | N-type | | | |
| NJT5760FM | | | | | F-type | AC Power Option | IF Connector Supplied by AC PSU | |
| NJT5760NA | | | | | N-type | | | |
| NJT5760FA | | | | | F-type | | | |

< Specifications >

| Item | Specifications |
|---|---|
| Output Interface | Waveguide, CPR137 (with Groove) |
| Input Interface | N-type, female (50 ohm) [Model No.: NJT5760N/60NM/60NA] F-type, female (75 ohm) [Model No.: NJT5760F/60FM/60FA] |
| Output Power @ 1dB G.C.P. | +39 dBm min. over temperature |
| Linear Gain | 63 dB nom., 57 dB min. |
| IM3 | -28 dBc typ. @ total power = +39dBm - 3dB |
| Requirement for External Reference | [Frequency] 10 MHz (sine-wave) [Input Power] -5 to +5 dBm @ Input port [Phase Noise] -125 dBc/Hz max. @ 100 Hz -135 dBc/Hz max. @ 1 kHz -140 dBc/Hz max. @ 10 kHz |
| L.O. Phase Noise | -60 dBc/Hz max. @ 100 Hz -70 dBc/Hz max. @ 1 kHz -80 dBc/Hz max. @ 10 kHz -90 dBc/Hz max. @ 100 kHz |
| Receive Band Noise Density | -87 dB/4kHz max. @ 3.625 to 4.200 GHz |
| Input V.S.W.R. | 2 : 1 max. |
| Output V.S.W.R. | 2 : 1 max. |
| Power Requirement / Consumption | +24 / +48 VDC (+18 to +60 VDC) / 63 W typ., 70 W max. AC Power Option: 90 to 264 VAC at Indoor AC/DC PSU [Model No.: NJT5760NA/60FA] |
| Mute | Shut off the HPA in case of L.O. unlocked or no 10 MHz reference signal. |
| LED Indicator | Green: L.O. locked / RED: L.O. unlocked or no 10MHz reference signal |
| Port for Voltage Input | Same as IF Connector [Model No.: NJT5760N/60F] MS Connector (Separate Port) [Model No.: NJT5760NM/60FM] IF Connector supplied by AC/DC PSU via IF Cable [Model No.: NJT5760NA/60FA] |
| Temperature Range (ambient) | -40 to +55 C (operating) -40 to +75 C (storage) |
| Dimension & Housing (without Interface Connectors) | 219.5 mm (L) x 175 mm (W) x 99 mm (H) [8.64" (L) x 6.89" (W) x 3.90" (H)] |
| Weight | 3.2 kg [7.0 lbs] |

*Note: The contents of this sheet are subject to change without notice.

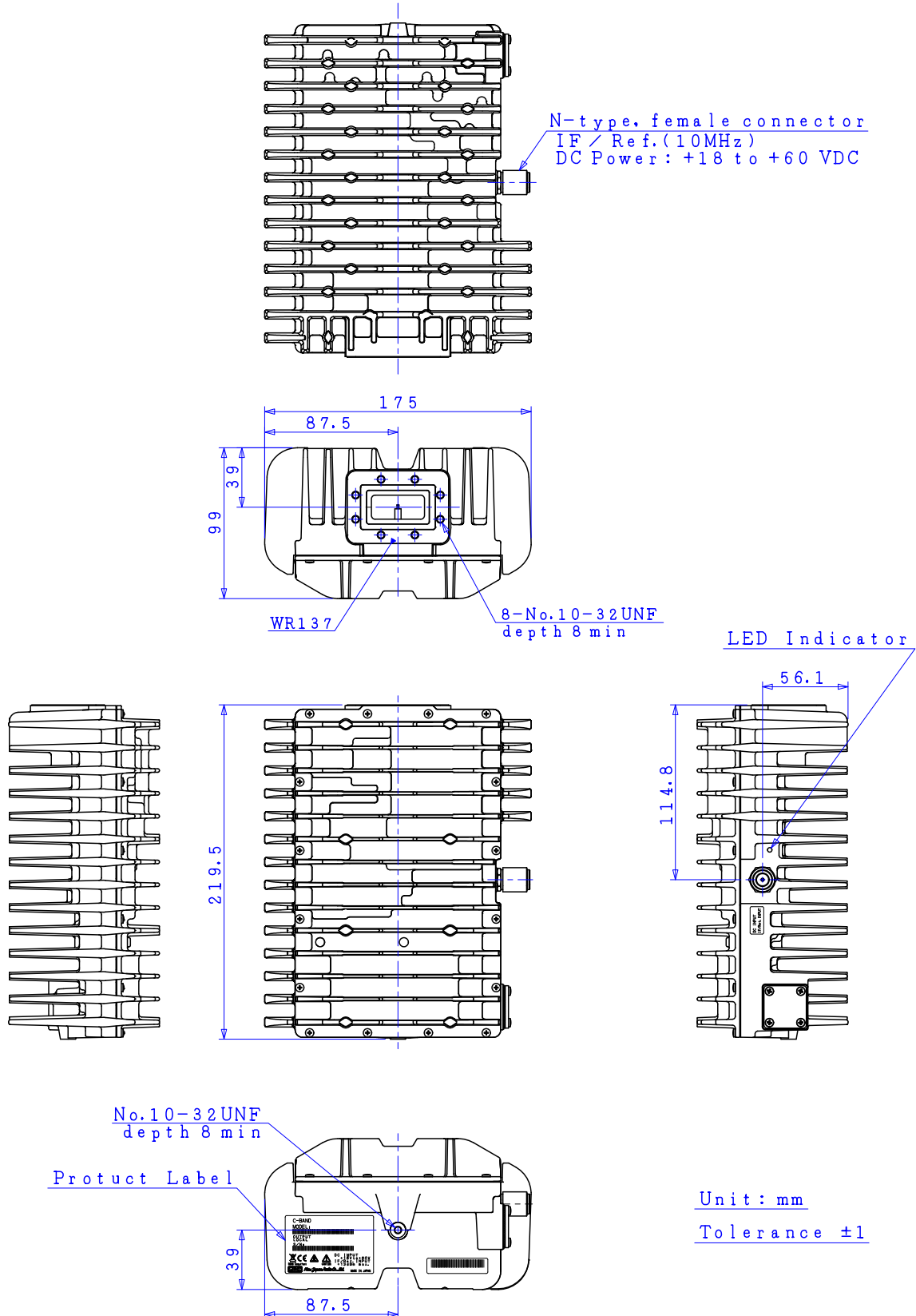
(1/8)
Rev.02(April. 2014) Standard C 8W BUC_NJT5760

■ Standard C-band 8W BUC

MODEL No. **NJT5760** series

< **Outline Drawing** >

N-type, female Connector Model / DC Input: IF Connector



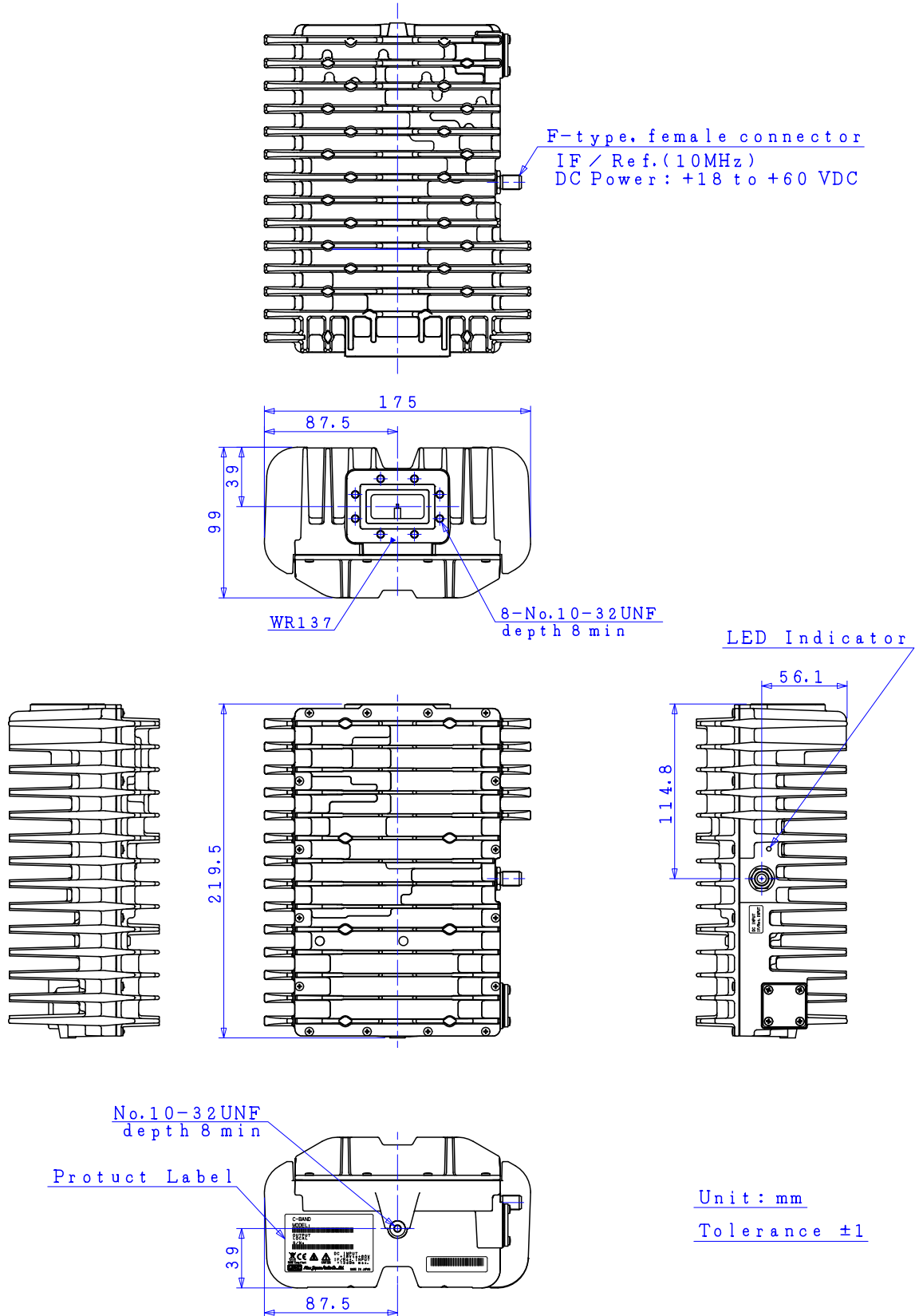
*Note: The contents of this sheet are subject to change without notice.

Standard C-band 8W BUC

MODEL No. NJT5760 series

< Outline Drawing >

F-type, female Connector Model / DC Input: IF Connector



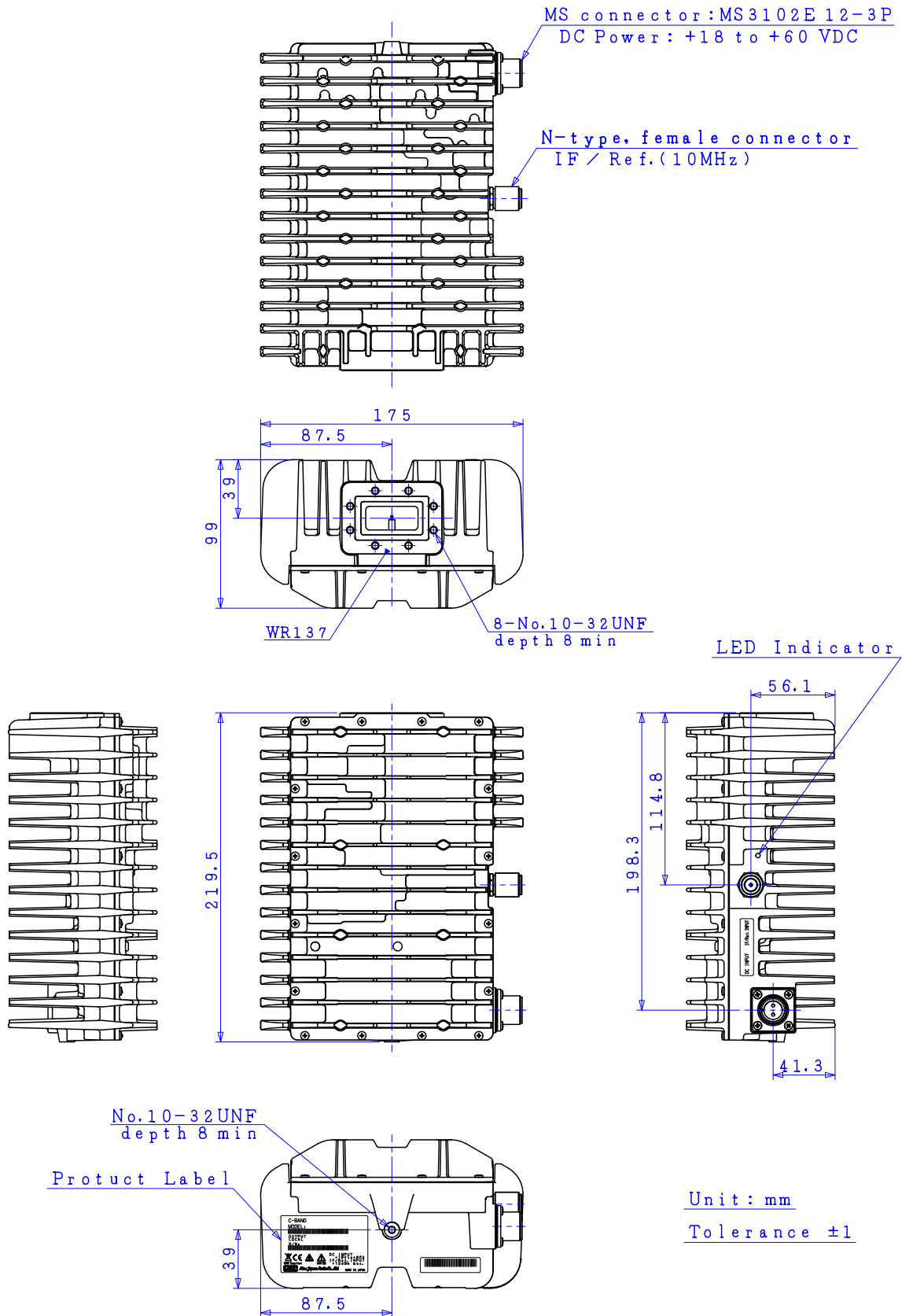
*Note: The contents of this sheet are subject to change without notice.

■ Standard C-band 8W BUC

MODEL No. **NJT5760** series

< Outline Drawing >

N-type, female Connector Model / DC Input: MS Connector



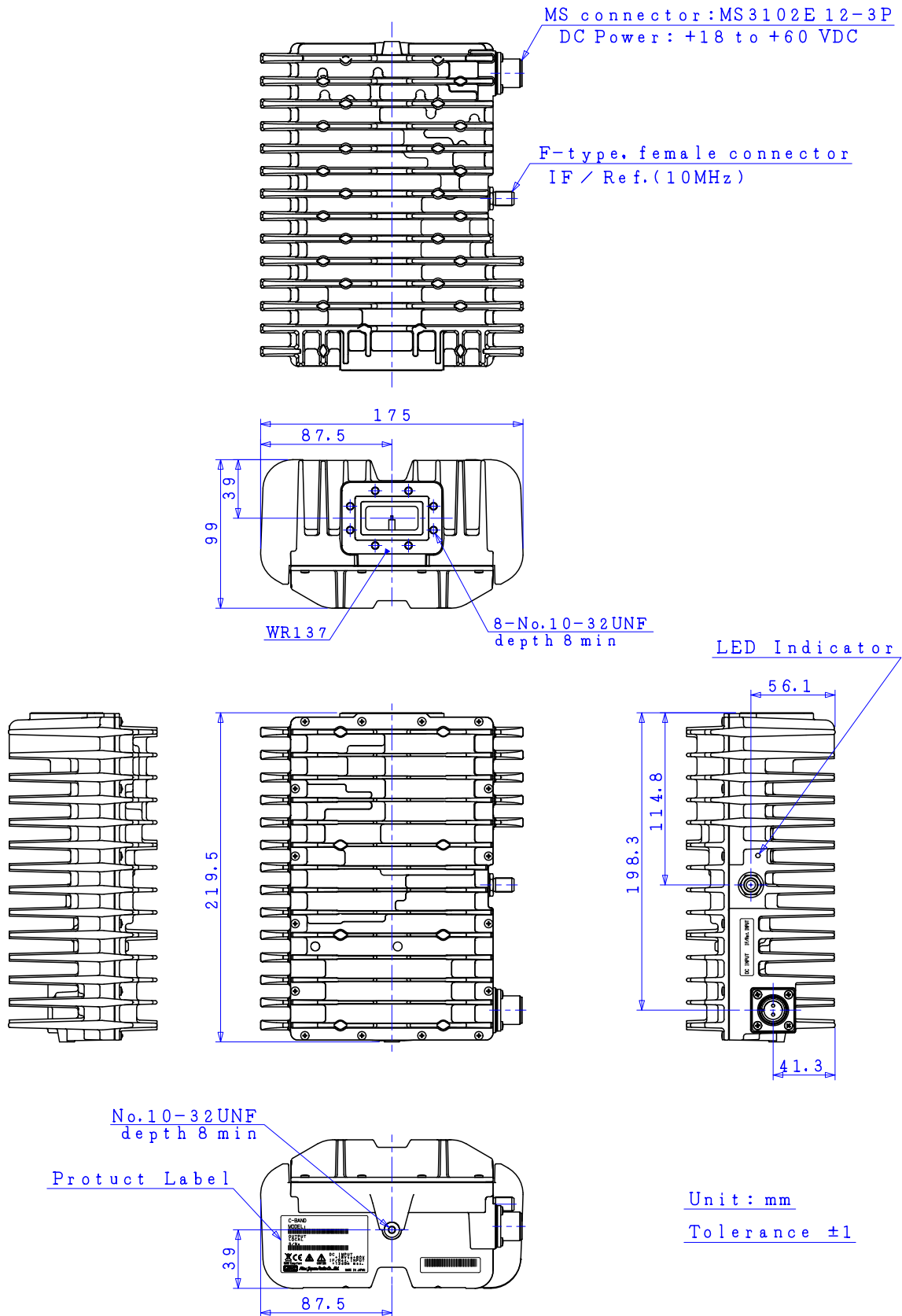
*Note: The contents of this sheet are subject to change without notice.

■ Standard C-band 8W BUC

MODEL No. **NJT5760** series

< **Outline Drawing** >

F-type, female Connector Model / DC Input: MS Connector



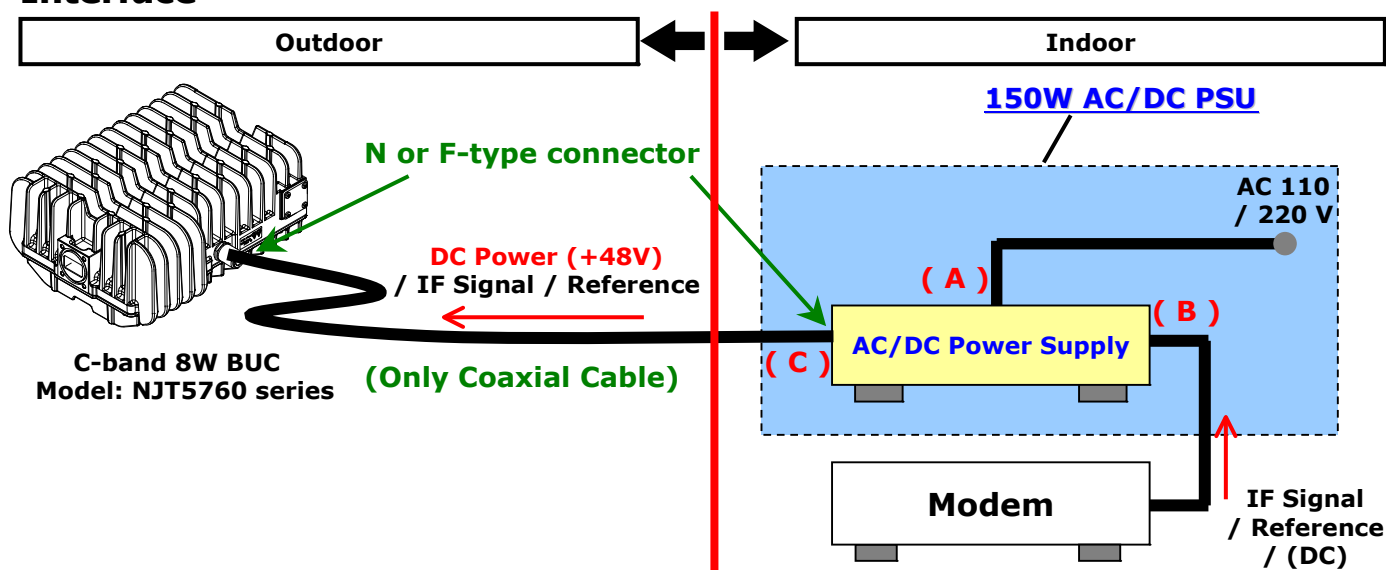
*Note: The contents of this sheet are subject to change without notice.

Standard C-band 8W BUC

AC Power Option: Indoor 150W AC/DC Power Supply Unit (PSU)

< Overview of AC Power Option >

- Interface -



- 150W AC/DC PSU -

* The features of 150W AC/DC Power Supply Unit (PSU) is to provide the stable +48V DC power to operate C-band 8W BUCs, even if inner power supply of the modem is not capable enough to operate these BUCs.

* The AC/DC box, which is having enough power supply of 150W as well as having the bias-tee which enable to pass 10MHz reference signal and L-band IF signal from the modem, is operated by AC Power and enable to operate these BUCs.

* In addition, the aluminum housing with corrosion-proof treatment on the surface is employed with the box to use perfectly as the indoor unit.



< Specifications >

| Item | Specifications | |
|---|---|---|
| Interface | AC Input | IEC320-C14 inlet |
| | IF/Ref./ (DC) Input | N-type, female (50 ohm) / F-type, female (75 ohm) |
| | IF/Ref./DC Output | N-type, female (50 ohm) / F-type, female (75 ohm) |
| Input AC Voltage Range | Rated Range | 100 to 240 VAC |
| | Absolute Maximum Rating | 90 to 264 VAC |
| Input AC Frequency Range | 50 / 60 Hz | |
| Output Voltage / Power | +48 VDC +/- 10 % / 150 W max. | |
| Efficiency | 80 % typical at 120 VAC, full load | |
| Power Factor | 0.98 typical at 120 VAC, full load | |
| IF Frequency | 950 to 1,700 MHz | |
| IF Insertion Loss | 1 dB max. | |
| IF Input/Output VSWR | 1.5 : 1 max. | |
| Standard | EN55022, EN55024, EN60950-1, EN61000-3-2/3, EN62311 | |
| Temperature Range (ambient) | 0 to +50 C (operating), -30 to +85 C (storage) | |
| Cooling | Forced Air by Fan | |
| Dimension & Housing (without Interface Connectors / Switch) | 290 mm (W) x 230 mm (D) x 44 mm (H) [11.41" (W) x 9.06" (D) x 1.73" (H)] | |
| Weight (without Cable) | 1.6 kg [3.5 lbs] | |
| Accessories | Coaxial cable of 1 m, AC power cable of 1 m, 1U rack mount kit (Option) | |

*Note: The contents of this sheet are subject to change without notice.

Rev.02(April. 2014) Standard C 8W BUC_NJT5760

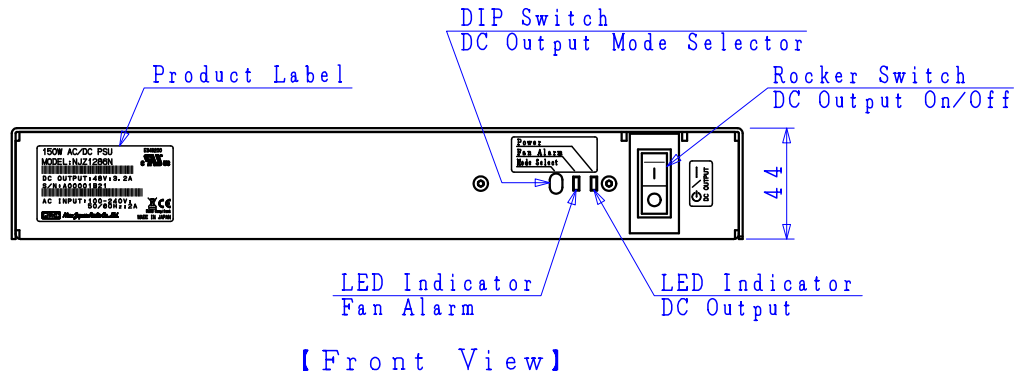
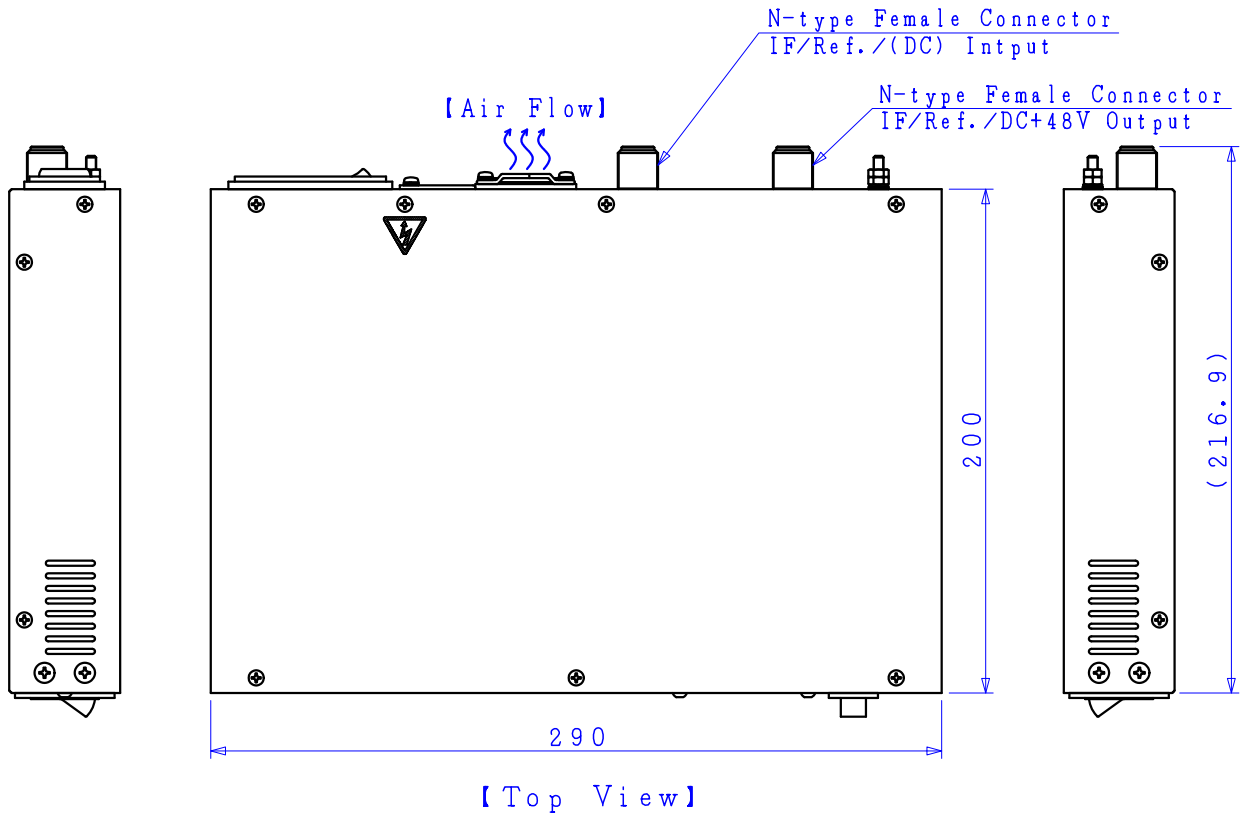
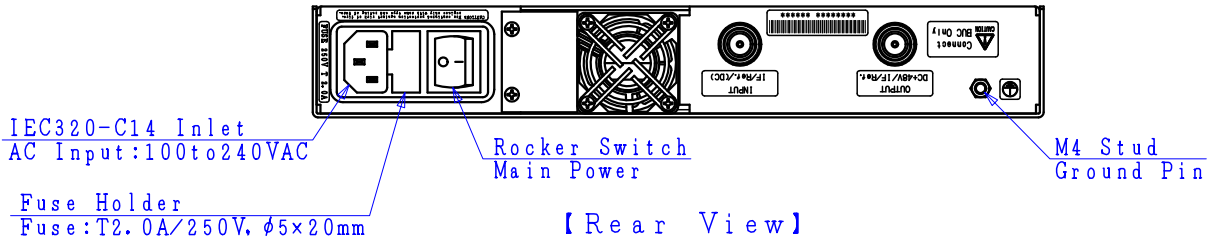
(6/8)

■ Standard C-band 8W BUC

AC Power Option: Indoor 150W AC/DC Power Supply Unit (PSU)

< Outline Drawing >

N-type, female Connector Model (AC/DC PSU)



UNIT : mm

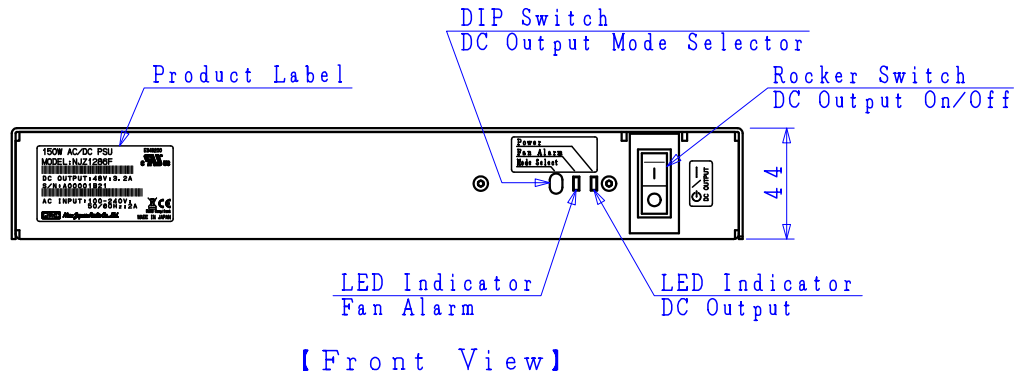
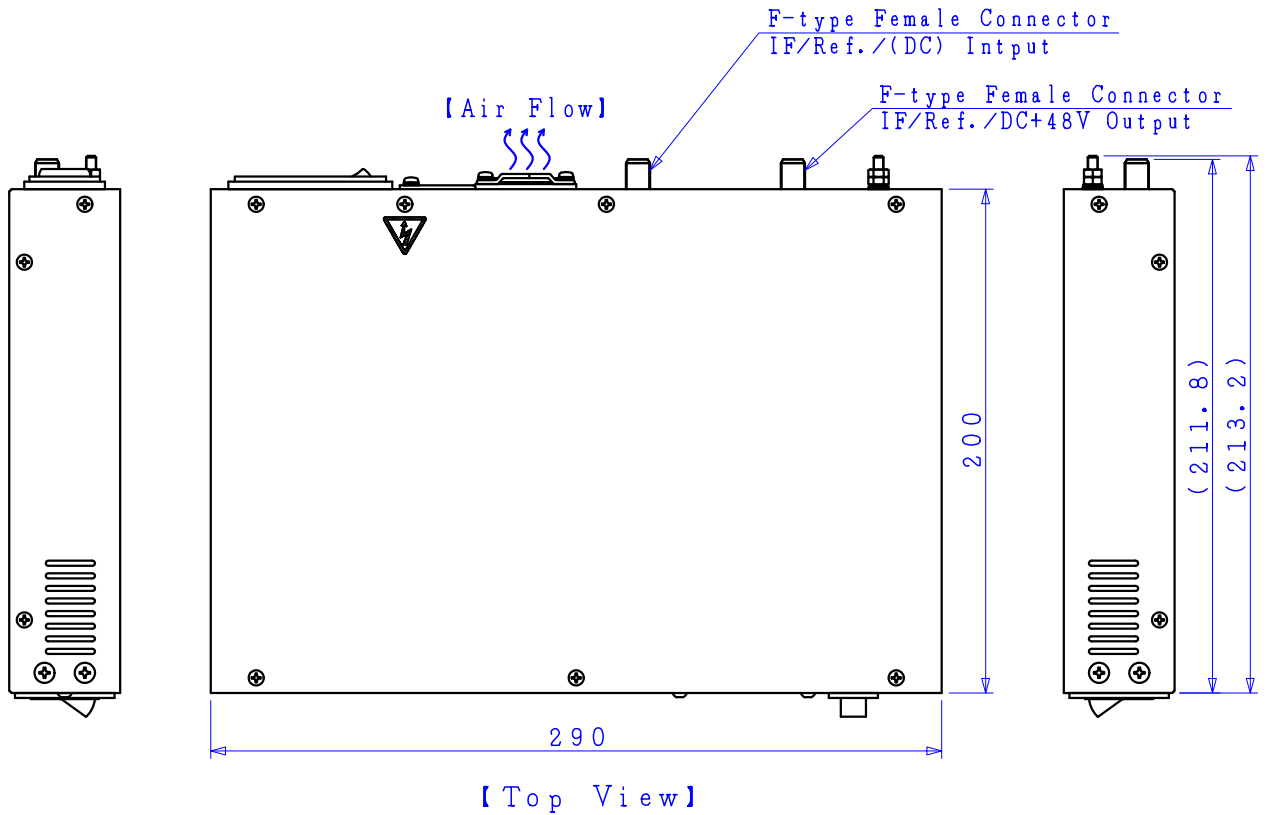
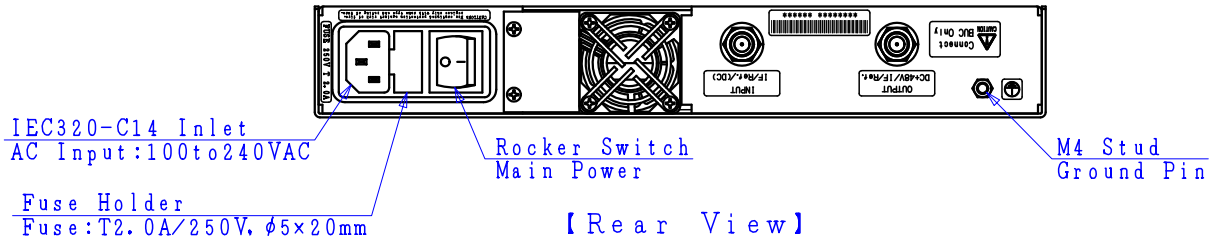
*Note: The contents of this sheet are subject to change without notice.

■ Standard C-band 8W BUC

AC Power Option: Indoor 150W AC/DC Power Supply Unit (PSU)

< Outline Drawing >

F-type, female Connector Model (AC/DC PSU)



UNIT : mm

*Note: The contents of this sheet are subject to change without notice.