

# Full / Standard C-band 3W BUC

## MODEL No. NJT8103 series

### < Features >

#### \* RF Frequency Line-up

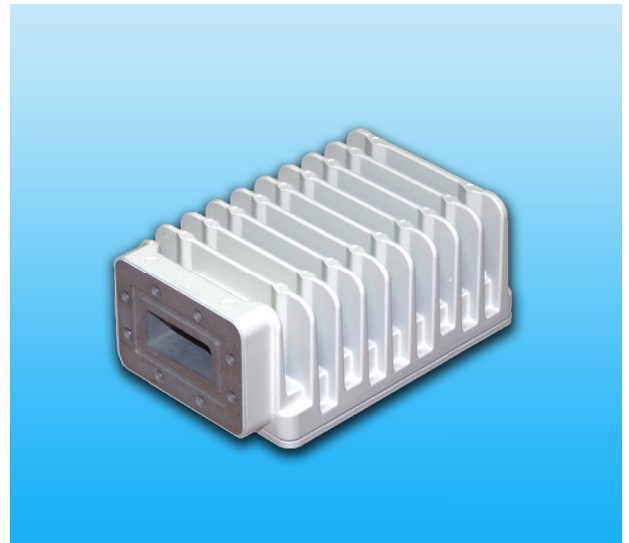
- Full C-band: 5.85 to 6.725 GHz
- Standard C-band: 5.85 to 6.425 GHz

#### \* High Efficiency Output Power

- P1dB: +34.5 dBm min. over temperature
- ACPR: -24 dBc @ Pout = +34.5 dBm
- Power Consumption: 21 W

#### \* Compact Size & Light Weight

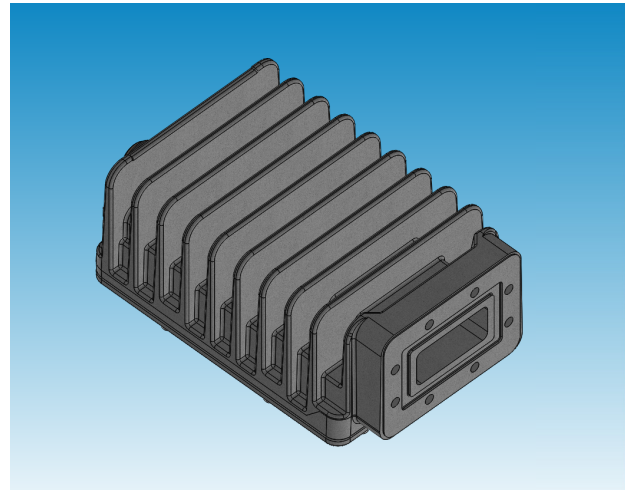
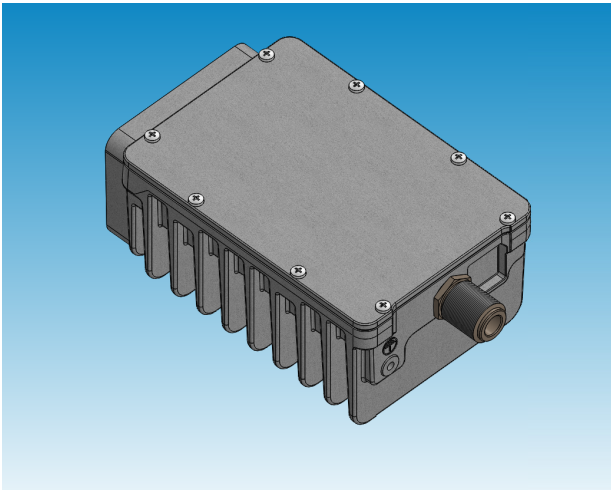
- Dimension: 135.4 (L) × 85 (W) × 56 (H) mm
- Weight: 800 g



### < Line-Up >

Model No.	RF Frequency	Local Frequency	IF Frequency	Output Power @ P1dB	IF Connector	Power Supply
NJT8103N	5.85 to 6.425 GHz (Standard C-band)	4.90 GHz	950 to	3W Linear (+34.5dBm min.)	N-type	+12 to +30 V DC Power
NJT8103F			1,525 MHz		F-type	
NJT8103WN	5.85 to 6.725 GHz (Full C-band)		950 to		N-type	
NJT8103WF			1,825 MHz		F-type	

### < Outline >



\*Note: The contents of this sheet are subject to change without notice.

Rev.01(July 2016) C 3W BUC\_NJT8103

# Full / Standard C-band 3W BUC

## MODEL No. NJT8103 series

### < Specifications >

Item	Specifications
Output Power @ 1dB G.C.P. (P1dB)	+34.5 dBm min. over temperature
Linear Gain	59 dB nom., 53 dB min.
Gain Variation over frequency	Standard C-band: 5 dBp-p max. over 575 MHz / 2 dBp-p max. over 36 MHz Full C-band: 5 dBp-p max. over 875 MHz / 2 dBp-p max. over 36 MHz
Gain Stability over temperature	2 dBp-p typ., 5 dBp-p max.
ACPR	-26 dBc typ. @ Pout = +34.5 dBm
L.O. Phase Noise	-60 dBc/Hz max. @ 100 Hz -70 dBc/Hz max. @ 1 kHz -80 dBc/Hz max. @ 10 kHz -90 dBc/Hz max. @ 100 kHz -100 dBc/Hz max. @ 1 MHz
Input V.S.W.R.	2 : 1 max.
Output V.S.W.R.	2 : 1 max.
DC Power Requirement (1) Voltage Range (2) Power Consumption	+24 VDC (+12 to +30 VDC) 21 W typ., 25 W max. @ Pout = +34.5 dBm 18 W typ. @ No IF signal 2 W max. @ 10 MHz reference off (Mute on)
Mute	Shut off the HPA in case of L.O. unlocked or no 10 MHz reference signal
Temperature Range (ambient)	Operating: -40 to +60 °C Storage: -40 to +75 °C
Dimension & Housing	135.4 (L) × 85 (W) × 56 (H) mm [5.33" (L) × 3.35" (W) × 2.20" (H)] without interface connectors and screws
Weight	800 g [1.8 lbs ]

\*Note: The contents of this sheet are subject to change without notice.

(2/4)  
Rev.01(July 2016) C 3W BUC\_NJT8103

 **New Japan Radio Co., Ltd.**

Microwave Division

URL: <http://mc.njr.co.jp> email: [mcsales@njr.co.jp](mailto:mcsales@njr.co.jp)

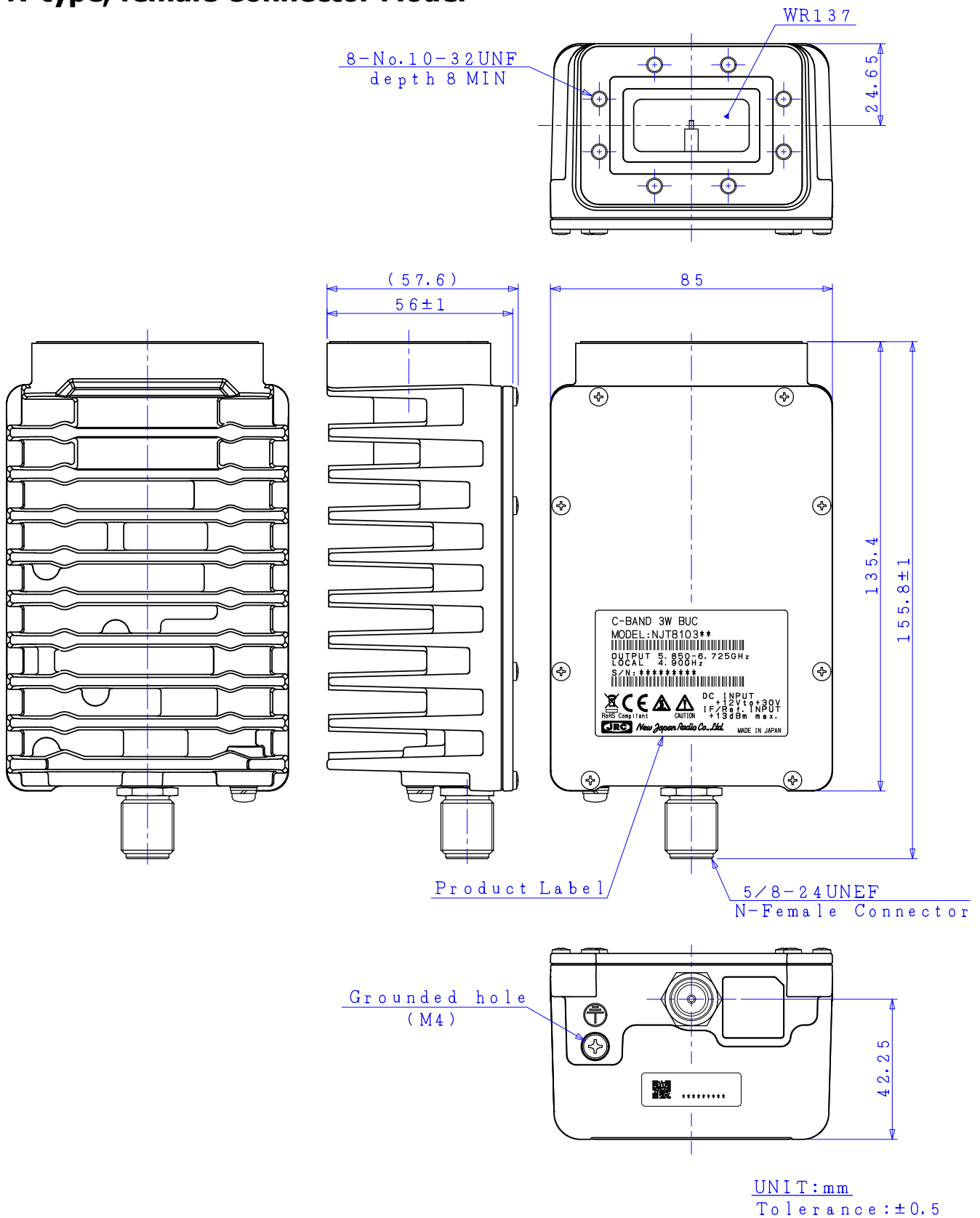
Copyright © 2016 New Japan Radio Co., Ltd.

Full / Standard C-band 3W BUC

MODEL No. NJT8103 series

< Outline Drawing >

N-type, female Connector Model



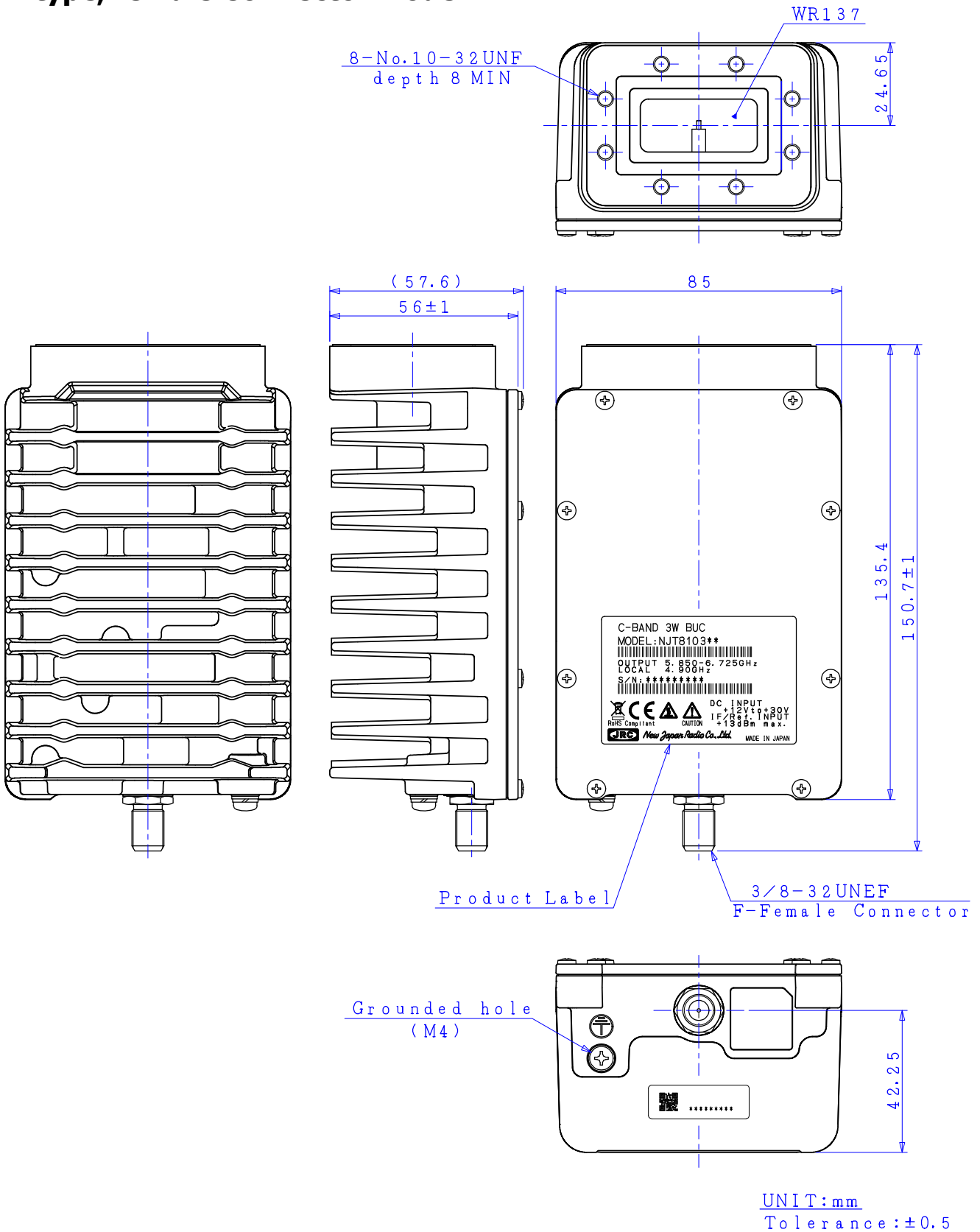
\*Note: The contents of this sheet are subject to change without notice.

■ Full / Standard C-band **3W** BUC

MODEL No. **NJT8103** series

< **Outline Drawing** >

**F-type, female Connector Model**



\*Note: The contents of this sheet are subject to change without notice.